



**SITCO ANTENNAS**

**ASSEMBLY INSTRUCTION  
FOR  
UHF SINGLE BAY  
END MOUNT  
(Regular Hardware)**

10330 N.E. Marx St,  
P.O. Box 20456,  
Portland, OR 97220

Ph: (503) 253-2000  
Fax: (503) 253-2009  
E-mail: [sitco@simplicitytool.com](mailto:sitco@simplicitytool.com)  
Website: [www.simplicitytool.com](http://www.simplicitytool.com)

Rev. 02-A



# SITCO ANTENNAS

## 1.1. BILL OF MATERIALS:

- a. One carton, containing:

DESCRIPTION	QTY
Antennas	1
Braces	1
Assembly instruction	1
Hardware bag	1

- b. Hardware bag, containing:

DESCRIPTION	QTY
a. Screw 10-24 x 1-1/4"	1
b. Kep nut 10-24	1
c. Single clamps	1
d. Double clamps	1
e. Flat washer 1/4"	6
f. Lock washer 1/4"	6
g. U-bolt	3
h. Hex nut 1/4"	6

- Total quantity of cartons is one.



# SITCO ANTENNAS

## 1.2. GENERAL:

- a. All elements, including the signal dipole, have smooth rounded ends to improve the signal to noise ratio. Only the highest quality aluminum alloy rod and seamless tubing is used in the manufacture of SITCO antennas. To insure a long installation all steel mast, clamps, U-bolts and fasteners are either zinc plated or stainless steel to withstand adverse weather conditions.

## 1.3. INSTALLATION OF BRACES TO ANTENNA BOOM:

- a. Attach bent end of brace to mounting hole on antenna boom, per Figure 1. The boom should have its brace installed below it. Be sure to only finger tighten the bolts to avoid hole alignment problems, until assembly is complete.
- b. List of parts used to install braces to antenna booms:

ITEM	DESCRIPTION	QTY	FOUND IN
2-1	Braces	1	Antenna Box
2-2	Antenna boom	1	
2-3	Screw 10-24 x 1-1/4"	1	Hardware Bag
2-4	Kep nut 10-24	1	

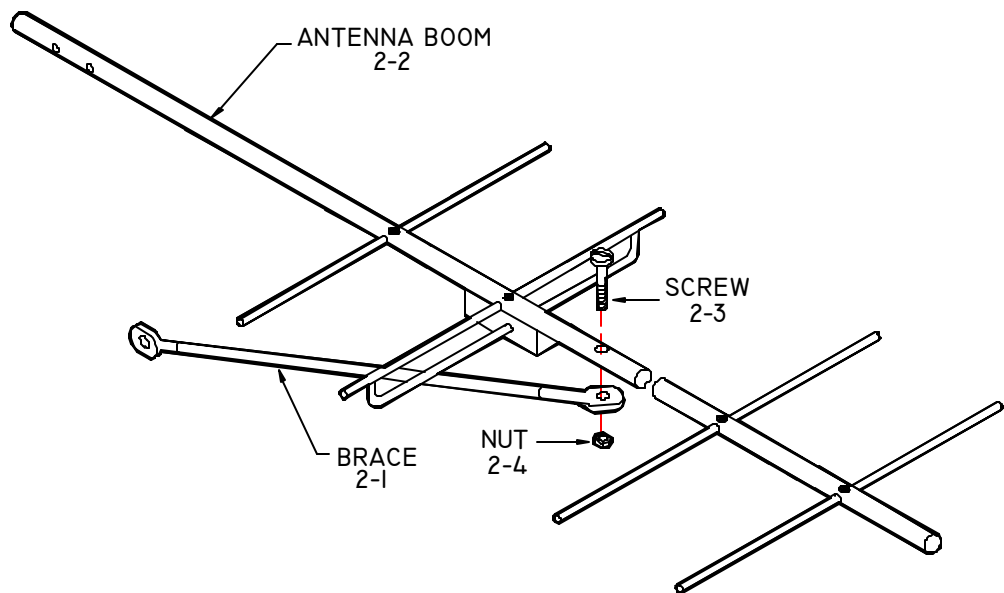


Figure 1



# SITCO ANTENNAS

## 1.4. INSTALLATION OF ANTENNA BOOM TO MAST / TOWER LEG

- a. Mount antenna to mast / tower leg using provided hardware, See table below and Figure 2.
- b. List of hardware for installation of antenna boom to mast / tower leg:

ITEM	DESCRIPTION	QTY	FOUND IN
3-1	Antenna	1	Antenna Box
3-2	Brace	1	
3-3	Single clamp	1	Hardware Bag
3-4	Double clamp	1	
3-5	U-bolt	3	
3-6	Nut	6	
3-7	Flat washer	6	
3-8	Lock washer	6	

- c. Attach brace to the respective leg of the U-bolt. See Figure 2.

**NOTE:** Tighten all bolts securely. Do not over tighten, as this will compress the clamps and distort the bolts and antenna alignment.

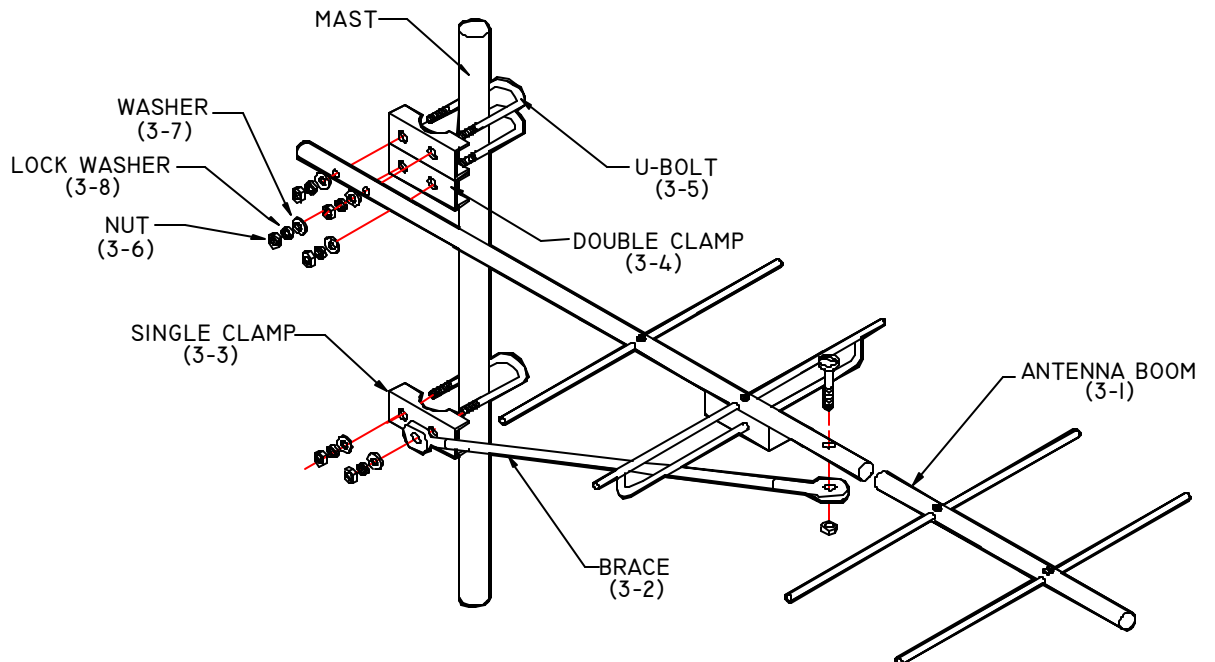


Figure 2