



SITCO ANTENNAS

**ASSEMBLY INSTRUCTION
FOR
CENTER MOUNTED LOG PERIODIC
ANTENNAS
MODEL: EML and ECL**

10330 N.E. Marx St,
P.O. Box 20456,
Portland, OR 97220

Ph: (503) 253-2000
Fax: (503) 253-2009
E-mail: sitco@simplicitytool.com
Website: <http://www.simplicitytool.com>

Rev. 02-A



SITCO ANTENNAS

ANTENNA INSTALLATION:

1. Your antenna should arrived packed in two boxes. The long box contains the antenna and the smallest box contains the mounting hardware.
2. Sort the elements. There should be 12 (ECL series) or 8 (EML series) pairs of elements. Sort these into pairs ranging from smallest to largest.
3. Starting with the shortest pair of elements, insert the elements into the boom in an alternating fashion, beginning from the front of the boom.
The elements protruding from left hand side should alternate from the top to the bottom boom as you go back, and the elements protruding from the right should do the same in an opposed manner (see figure 1).
4. Adjust the elements until $\frac{1}{2}$ " extends out the other side of the boom, and insert the 8-32 x 1" machine screw.
5. Secure the antenna booms to the mounting plate using the four bolts provided with the flat fiberglass mounting plate and the holes in the center of the boom (see figure 2).
6. Secure the antenna assembly to your antenna mast using the U-bolts provided with the fiberglass mounting plate and steel reinforcing plates (see figure 2).

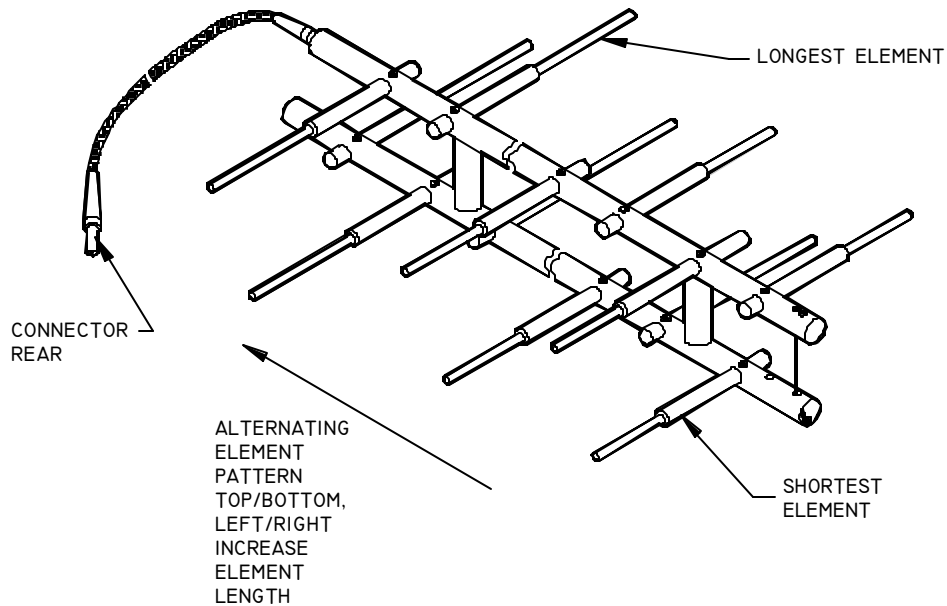


Figure 1



SITCO ANTENNAS

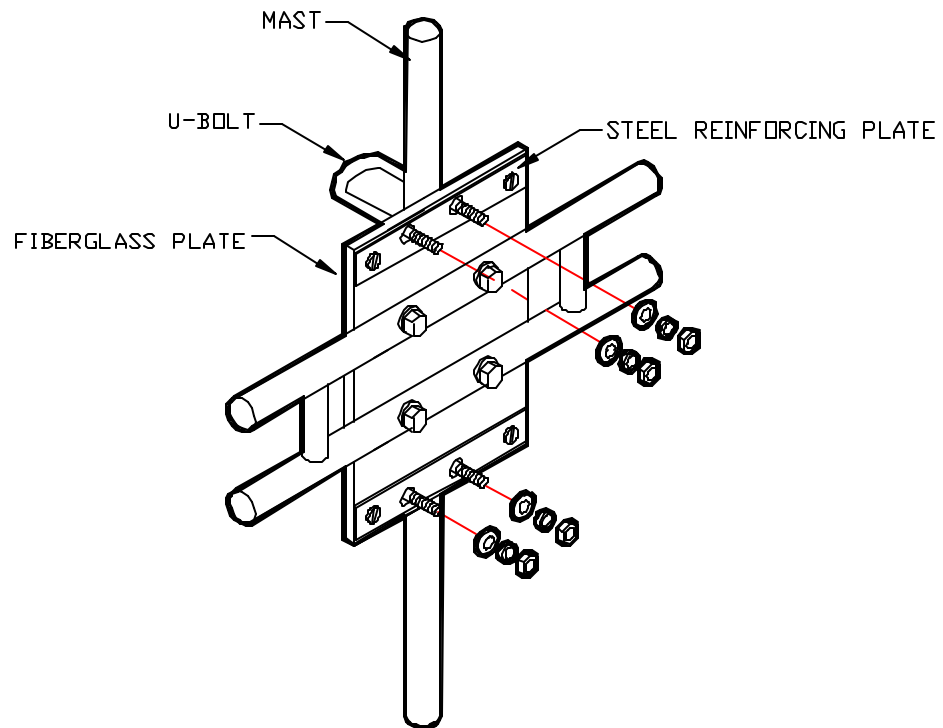


Figure 2